



UPⁿGO Rooftent-Lift

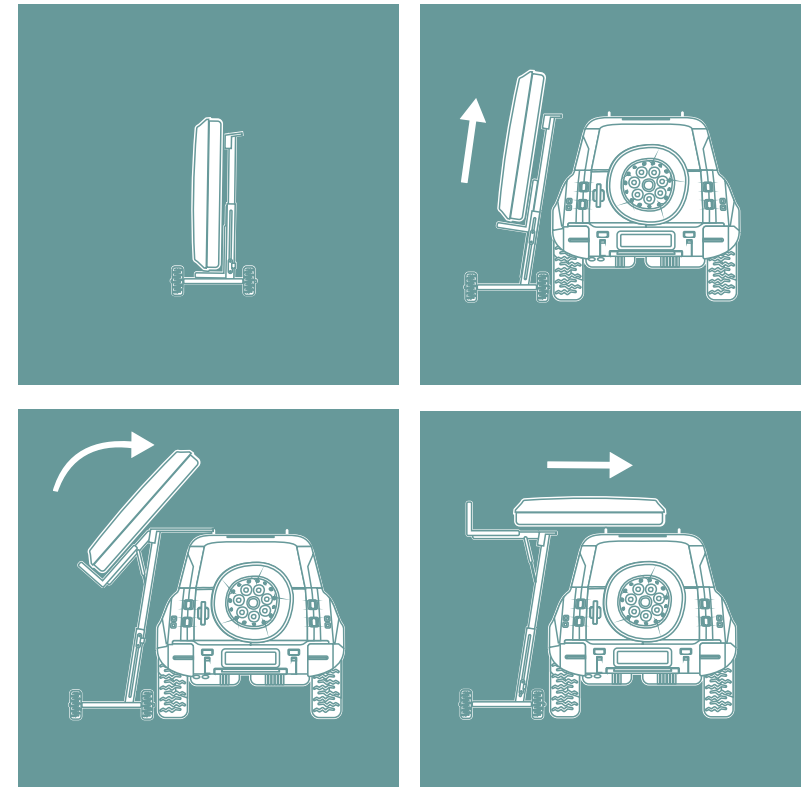
manual state 04/2022

ide-tec KG
Erzweg 16
57299 Burbach

Tel. +49 2736 491340
e-mail: info@ide-tec.de

www.ide-tec.de
www.50GradNord.com

© 2022 ide-tec KG



You will find the latest edition of these operating instructions for download at www.50GradNord.com



Inhaltsverzeichnis

Seite

| | |
|---|----|
| 1. Explanation of symbols | 2 |
| 2. General | 3 |
| 2.1 Safety information and liability | 3 |
| 2.2 Operating personnel | 3 |
| 2.3 Intended use | 3 |
| 2.4 Improper use | 4 |
| 2.5 Hazard avoidance | 4 |
| 2.6 Changes to the system | 5 |
| 2.7 Commissioning and operation | 5 |
| 2.8 Tools and aids | 5 |
| 3. Component overview | 6 |
| 3.1 Transmission and belt functionality | 7 |
| 4. Prescribed sequence of operations | 8 |
| 5. Preparation of the UPnGO roof tent lift | 9 |
| 5.1 Adjusting the UPnGO roof tent lift | 10 |
| 5.1.1 Adjusting the roof tent width | 10 |
| 5.1.2 Adjusting the roof rack adapter | 12 |
| 6. Assembly and lifting of the roof tent | 14 |
| 7. Removing the roof tent lift after the lifting process | 18 |
| 8. Dismantling / lifting off the roof tent | 20 |
| 9. Transporting the roof tent with the UPnGo roof tent lift | 24 |
| 9.1 Preparation for transport | 24 |
| 9.2 Transportation | 24 |
| 10. Possible faults | 25 |
| 11. Storage | 25 |
| 12. Maintenance and care | 25 |
| 13. Checking the markings | 26 |
| 14. Repair and spare parts | 26 |
| 15. Technical data | 26 |
| 16. EC Declaration of Conformity | 27 |
| 16. Own notes | 28 |

1. Explanation of symbols



Warning risk of injury



information
please note



Do not stay
under the lifted load



follow instructions
read carefully



monitor the device
& visual inspection



Tool necessary



cordless screwdriver
necessary



operate with
muscle power



maintenance



Do no repairs or
changes
on the device
by your own

2. Generals

2.1 Safety Instructions and Liability

This device was manufactured according to the state of the art and the recognized safety regulations and - before delivery - was thoroughly tested at the factory. Before each start-up, the device must be checked for any damage caused by transport, storage or other influences. The use of the device is limited to the intended use in a safe and perfect condition. During operation, the specifications in these instructions and the specified operating sequences **MUST** be observed. In principle, no liability is assumed for operating errors. This information is based on the data available at the time of printing. We reserve the right to make technical changes as part of further development..



2.2 Operating personnel

The operating personnel must be instructed in the operation of the device and have familiarized themselves with the operation of the device by studying the operating instructions and have understood them. This device may not be used by persons under the age of 16 or by persons with reduced physical, sensory or mental abilities or lack of experience and knowledge.



2.3 Intended use

The device is designed as a hand-driven transport trolley with a mechanical lifting device and may only be used in accordance with this concept for storing, transporting, lifting and assembling roof tents according to the specifications listed below:- Rooftop tents with a maximum dimension of 2,300 x 1,600 x 350 mm (length x width x height) and a maximum weight of 100 kg. The lifting function may only be used in conjunction with a roof rack system that is permanently mounted on a vehicle. Any other than the intended use of the system is not permitted.



2.4 Improper use / foreseeable misuse

It is not allowed to:

- using the lift function without properly securing it to a vehicle (roof rack)
- Disregarding the specified operating sequence
- Exceeding the maximum load (see permissible lifting load)
- lifting loads with asymmetrical weight distribution
- lifting and transporting people
- using the height adjustment to lift loads
- Unnecessary work under a raised load
- Using the lift function on uphill and downhill stretches with a gradient of more than 3%.
- using the lifting function on inclines with a lateral slope of more than 1%
- using by operation persons who are not knowing this instructions
- the operation of the system under difficult conditions such as use in strong winds, icy/slippery ground or icy, snowy or heavily soiled lifting masts (sand, earth, wood chips, etc.)
- Operation in a potentially explosive environment



2.5 Hazard avoidance

- The system may only be operated by ONE person during the lifting process. All other people must leave the danger area.
- When moving the system as a transport cart, it is particularly when transporting on downhill stretches, it is advisable to consult a second person to secure the system.
- It is imperative that the operator can observe the Lifting device and the load during all movements.
- It is not allowed to work under the lifted load as long as it is not secured by suitable means (tension belt or similar).



2.6 Changes to the system

It is not allowed to make changes to the UPnGO roof tent lift. Only the attachment of accessories specially manufactured by the manufacturer or a specialist company authorized by him is permitted, provided that these do NOT impair the functionality and stability of the system or one of the properties required or prescribed handling according to these instructions.



2.7 Commissioning and operation

Before starting work, the operator must ensure that the device is in perfect condition and that the settings are correct.

Check that everything is working properly before and during each use. If you discover a malfunction or malfunction, do not under any circumstances lift the load and read the maintenance instructions.



2.8 Tools and aids

To work with the UPnGO roof tent lift you need the following tools:

For preparation:

- Allen key
- Wrench 8mm
- Wrench 10mm

For working with the UPnGO roof tent lift:

- Cordless screwdriver (at least 30 N·m)
or
- Hand crank with 3/8" connection
or
- Hand ratchet with 3/8" connection

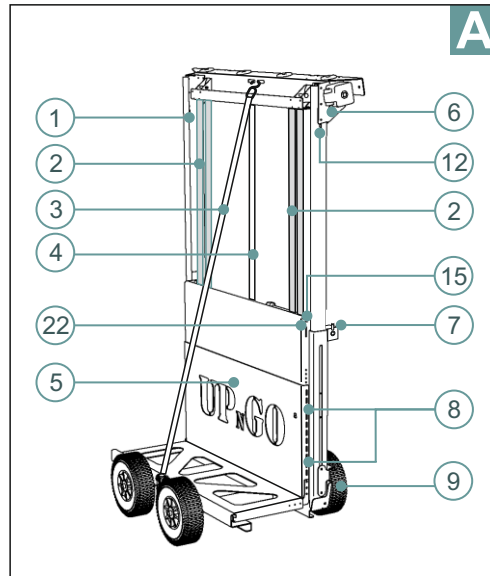


3. Component overview

These item numberings apply to all illustrations in this manual.

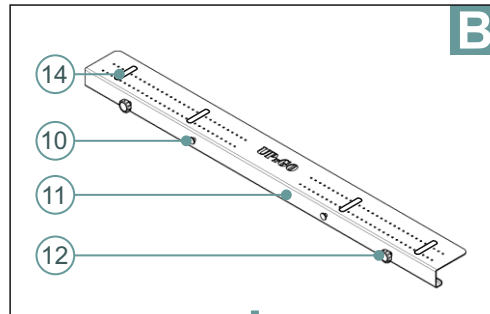
A - lifting system

- 1 - lifting mast
- 2 - lifting straps
- 3 - Tension belt (transport security)
- 4 - lifting strap - height adjustment
- 5 - load pickup
- 6 - lifting gear (upper gear)
- 7 - height adjustment (lower gear)
- 8 - screw connection (tipping point adjustment)
- 9 - brake
- 13 - height mark
- 15 - center mark
- 22 - Lashing eyelet for tension belt



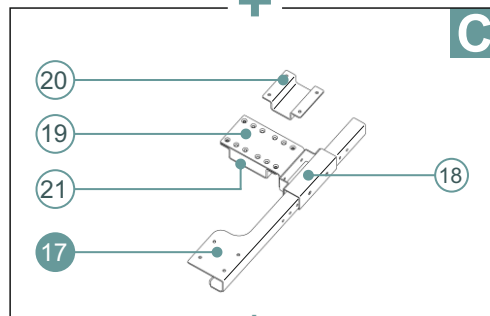
B - roof connection

- 10 - centering aid
- 11 - Roof connection base support
- 12 - toggle screws
- 14 - Teflon glides



C - Flexi roof rack adapter

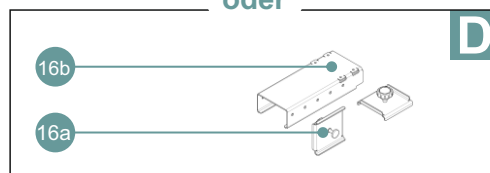
- 17 - Universal roof rack slot adapter
- 18 - slide-in recording (for roof racks with lateral T-slot)
- 19 - clamp adapter (for roof racks without T-slot)
- 20 - clamp, narrow
- 21 - clamp, wide
- 22 - Lashing eyelet for tension belt



or

D - Universal clamp adapter

- 16a - Universal roof rack clamp adapter
- 16b - clamping plate



3.1 Gear and belt functionality

Hier wird die Funktion der Getriebe und Gurte beschrieben.

Es ist nicht erlaubt, die Funktionen anders als hier beschrieben zu verwenden.

straps and straps

- 25 - lifting straps
Used to lift the load
- 26 - height adjustment strap
Serves ONLY for height adjustment (extending and retracting the lifting mast)
- 27 - downhaul strap
Used for safety when lowering the masts and prevents a blockage in the event of incorrect operation or contamination.

transmission

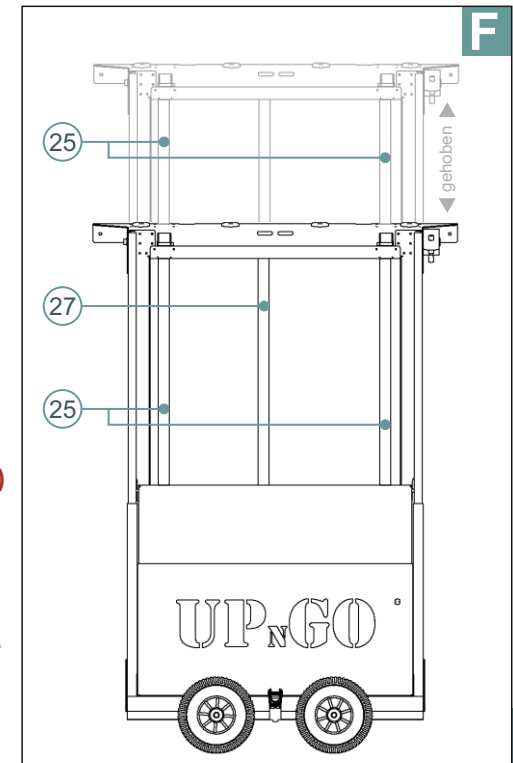
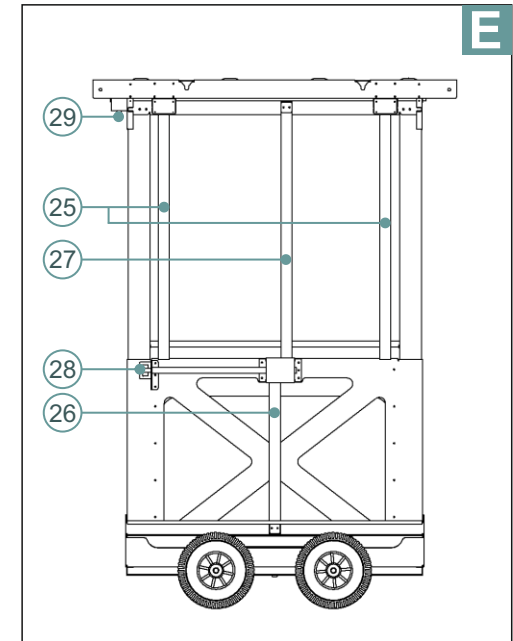
- 28 - height adjustment gear
Serves ONLY for height adjustment (extending and retracting the lifting mast)

ATTENTION!

Never use this gear (28) as long as the load is not fully drained and the lifting straps (25) are not slack.

Important rule - If the lifting strap (25) is not slack - you NEVER use the height adjustment!

- 29 - lifting gear
Drives the lifting straps (25) and serves with it to lift the load.



4. Required sequence of operation

Mounting the roof tent

- 01 - Mount the roof adapter on the roof rack
- 02 - Position UPnGO next to the vehicle
- 03 - Lower the lifting strap to the required length (upper gear)
- 04 - Loosen the tension belt
- 05 - Tilt the lifting masts towards the vehicle
- 06 - Extend the lifting mast until it docks with the roof adapter
- 07 - Secure the lift mast to the roof adapter with toggle screws
- 08 - check correct seating and firm hold**
- 09 - Raise roof tent (note upper gear / marking)
- 10 - Swivel the roof tent onto the roof by hand
- 11 - Loosen the tension belt (roof tent securing).
- 12 - Slide the roof tent onto the vehicle roof (the roof rack).
- 13 - Fasten the roof tent (follow the manufacturer's instructions)
- 14 - Swivel the load carrier down by hand
- 15 - Lower the load carrier - until the lifting straps slack**
- 16 - Loosen toggle screws
- 17 - Lower masts (lower gear)
- 18 - Raise the lift mast and secure with a tension belt
- 19 - Dismantle the roof adapter

Remove the roof tent

- 01 - Mount the roof adapter on the roof rack
- 02 - Position UPnGO next to the vehicle
- 03 - Lower the lifting strap to the required length (upper gear)
- 04 - Loosen the tension belt
- 05 - Tilt the lifting masts towards the vehicle
- 06 - Extend the lifting mast until it docks with the roof adapter
- 07 - Secure the lift masts to the roof adapter with toggle screws
- 08 - check correct seating and firm hold**
- 09 - Raise load carrier (note upper gear / marking)
- 10 - Swivel the load carrier up by hand
- 11 - Detach the roof tent
- 12 - Push or pull the roof tent onto the load carrier
- 13 - Secure roof tent with tension belt
- 14 - Swivel the load carrier down by hand, including the roof tent
- 15 - Lower the load carrier with the roof tent - until the lifting straps slack**
- 16 - Loosen toggle screws
- 17 - lower masts
- 18 - Erect the lifting masts and secure them together with the roof tent with a tension belt
- 19 - Dismantle the roof adapter

5. Preparation of the UPⁿGO rooftop-Lift

ATTENTION!

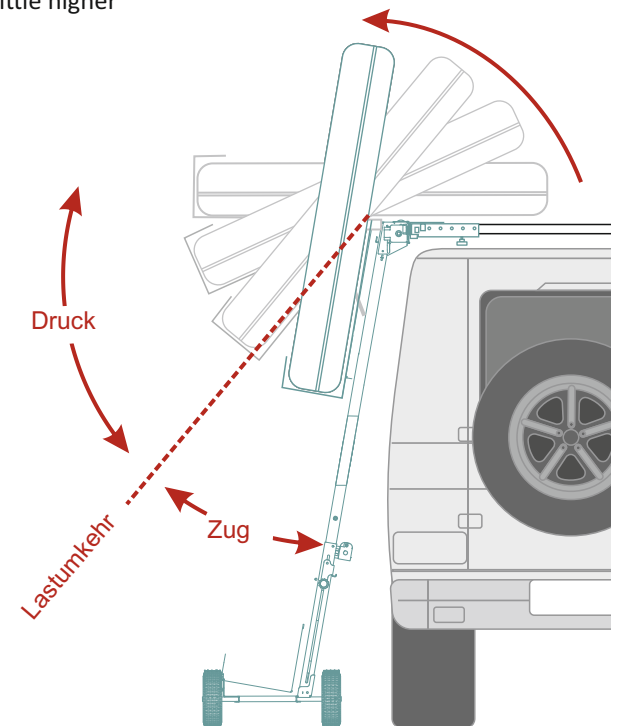
Take the settings described below very seriously and carefully. The optimal function of the pivoting process and the support from the integrated gas springs depends on this. The force to be applied to the load carrier is 100 to 120 N (approx. 10-12 kg). With this power, the load carrier can be moved without a tent. WITH TENT the effort is identical if you can determine exactly the middle or the center of gravity of your roof tent to have.



CAUTION!

The support reverses in the lower third of the pivoting process by the gas springs. (see graphic) Support in the upper area of the gas springs the stroke. In the lower area, however, pull the gas springs to secure the load carrier in its parking position.

Test the operation with your roof tent:
If the tent is difficult to raise, the load carrier has to be set a little higher will.
Is it too easy to lift or it's hard to get back swivel down, then sit down the porter something lower on.



5.1 Adjusting the UPnGO rooftop-lift

The device **MUST** be adjusted before it is used for the first time and whenever the lifting goods (roof tent), the vehicle or the roof rack system are changed.



5.1.1 Adjusting the roof tent width

The UPnGO roof tent lift has gas struts that help you swing the roof tent onto the vehicle and keep the lifting panel (including the roof tent) in a horizontal position.

In order for this to work properly, the load carrier must first be adjusted to the width of the roof tent used. To do this, proceed as follows:

- Measure the width of your roof tent and divide the value divided by two.
- Loosen the lateral screws (8) of the load carrier (5).
- Position the load carrier so that the distance between the area for marking (15) is exactly half the width of your roof tent amounts to.
- Replace and tighten the screws (8).
- Place the roof tent with the long side upright on the load carrier. The center of your roof tent should now line up exactly the mark (15).



Some rooftop tents will have an off-center center of gravity due to their design. Then first determine the center of gravity. It's a good idea to lay the tent on a tube, log or similar, and then align it so that it can easily be held in a 'floating' position.

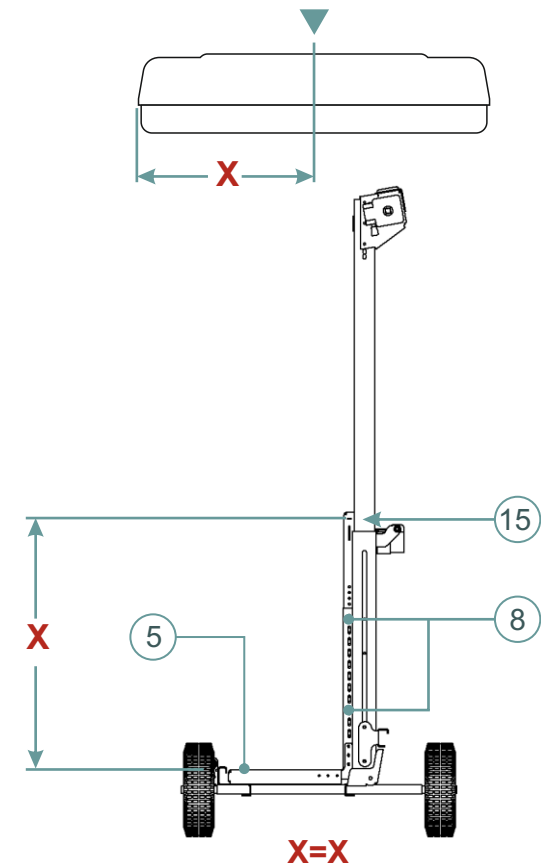


ATTENTION: Make sure that there are no accessories or loads in the roof tent that can affect the center of gravity or increase the weight of the roof tent.

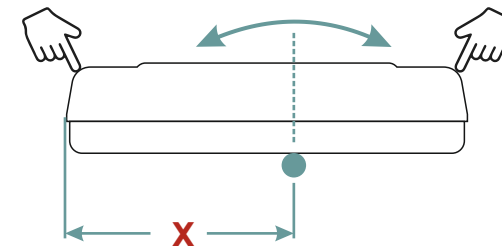


Adjust the center of gravity

middle point (center of gravity)



Determine the center of gravity for roof tents with an asymmetrical structure or equipment.

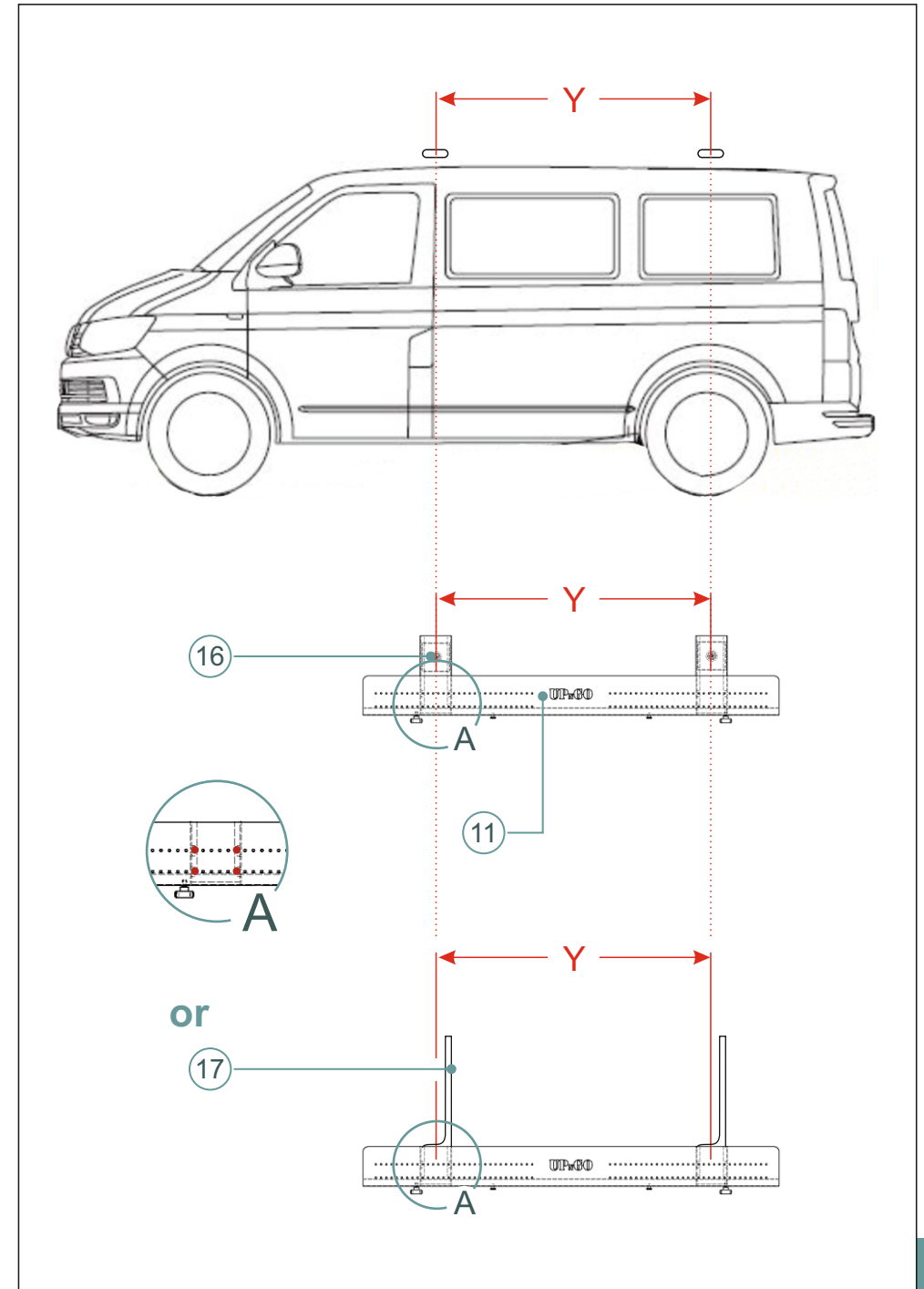


5.1.2 Adjusting for the roof carrier bars

- Measure the distance between your roof trusses and mount them Adapter pieces (16a or 17) in the measured distance to the Roof connection (11). Use the supplied ones for this screws.
INFO: The same screws are used for all adapter types.
- Check whether the roof rack adapter (11) fits properly on the Roof rack can be slid open.
- Check whether the clamping plates for fixing the adapter can be pushed and fixed.
- Glue the supplied PTFE gliders so that the roof tent does not touch the screw heads.



ATTENTION: Make sure that the clamping plates or slide-in adapters can be positioned in a place where you can easily reach the clamping screw to tighten.



6. Mounting & lifting the roof tent

A

- Mount the roof connection (11) using the Roof rack adapter (16) or (17) to the crossbeams of the roof rack of your vehicle.
- **Make sure the adapter is firmly gripping the roof rack.**



B

- Drive the UPnGO roof tent lift next to your vehicle.
- Lock the brake (9) or place a chock under it.
- Loosen the vertical strap (3).
- Tilt the mast so that it is in extension hits the roof rack adapter (11).

TIP: Once you have determined the optimal position, write down the distance (Z) to the vehicle. This facilitates the positioning next time. A chalk line can do a lot here good help to approach the correct position.

- Counteract by operating the upper gear (6) clockwise, so much webbing off that it's length corresponds to which you have to extend the lifting masts in order to reach the roof rack adapter (11).



C

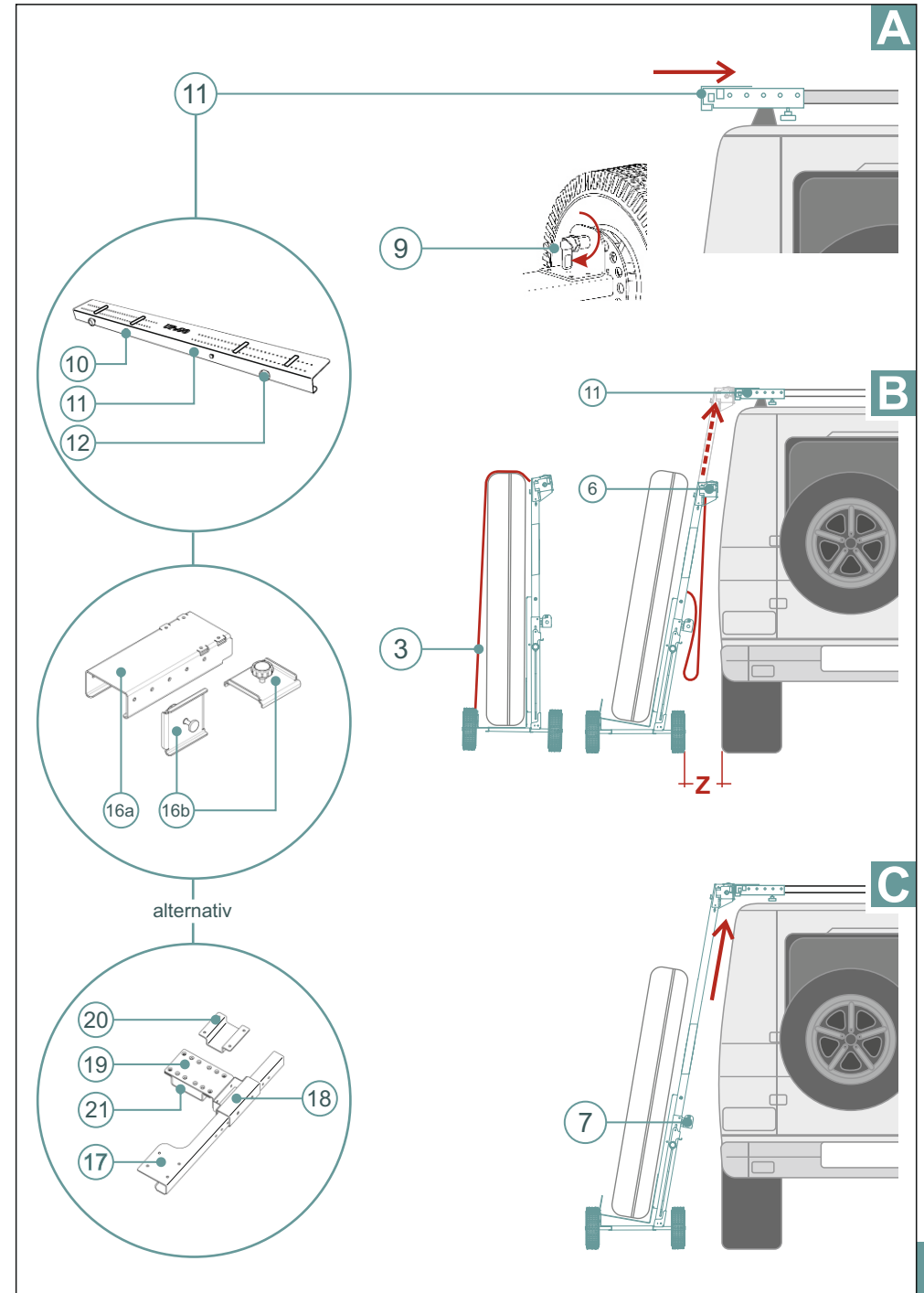
- Now drive the lower gear (7), in the Clockwise to the lift masts so far that this in the Thread in the positioning aid (10) of the roof rack adapter.
- Now fix the lifting mast (1) to the roof rack adapter (11) with the supplied Toggle screws (12)



ATTENTION: If you have lowered too little belt, will tighten the webbing prematurely. Then release by pressing of the upper gear (6) a little more belt. lift DO NOT bring the load (the roof tent) together with the masts on.



Important rule - If the lifting strap (25) is not slack - you NEVER use the height adjustment!



A

B

C

- Fix the lifting mast (1) with the supplied ones Toggle screws (22) on the roof adapter (11).

- **Assure yourself that the entire construct is stable stands and holds all fixations. Only then can you lift the roof tent.**



D

- Raise the roof tent by using the upper gear (6) clockwise until to the height mark (12) appears on both sides in the viewing window of the lift mast (1). You can use the gear optionally with a cordless screwdriver or use the hand crank that can be ordered as an option. When using a cordless screwdriver, please select the lowest gear.



- Take hold of the front edge of the load carrier (5) and swing the roof tent up.

ATTENTION! - There is to overcome a slight resistance before the roof tent can be swung up.

After this resistance is overcome, the Load carrier including roof tent with the help of gas pressure springs pushed up.

CAUTION - Depending on the setting (see point 5.1.1), this can happen quite quickly and done with appropriate force.

E



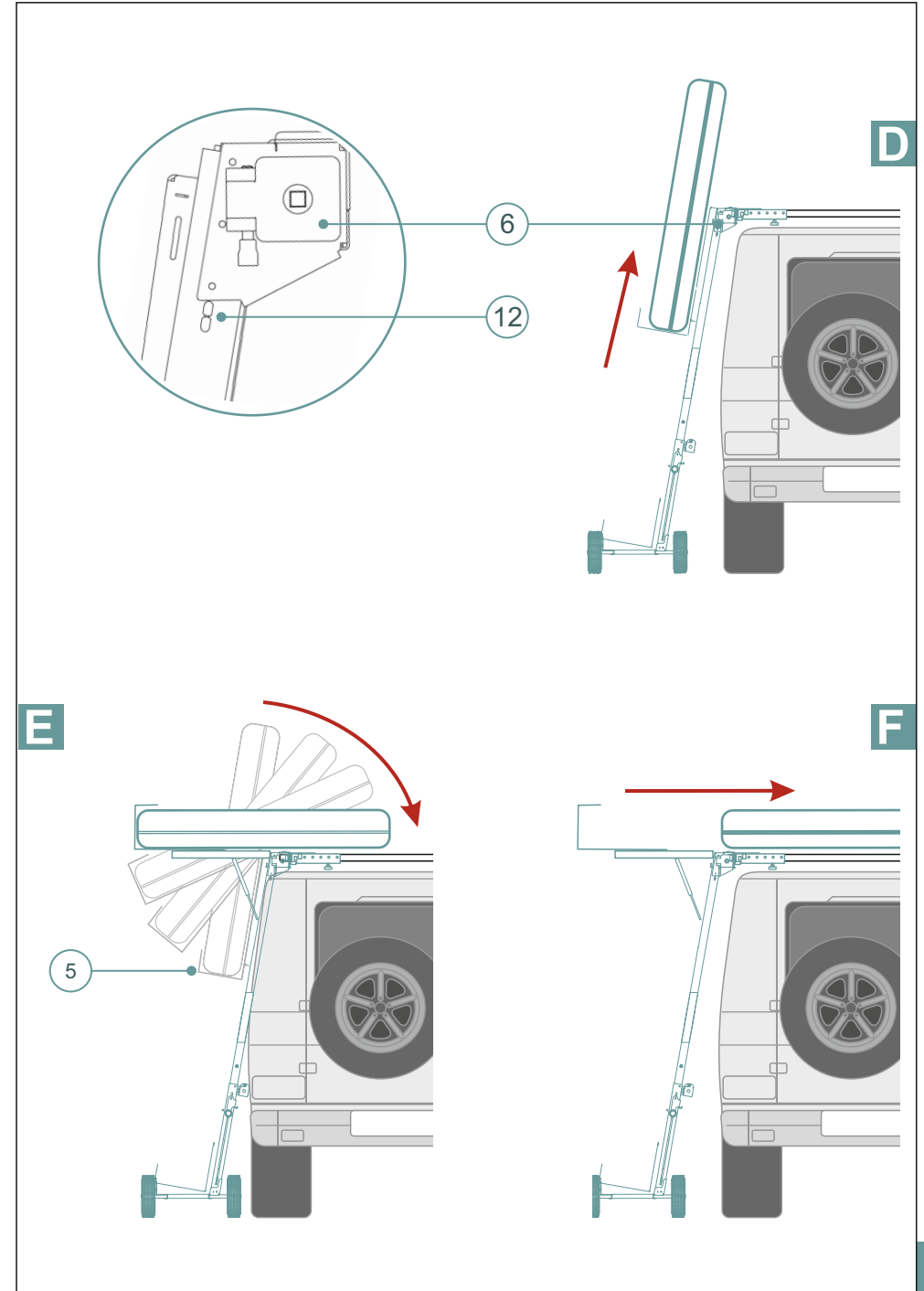
F

- Now loosen the horizontal strap (if you have used this).
- Now you can place the roof tent on the crossbeams of yours slide the roof rack and fasten it there.



ATTENTION:

When attaching your roof tent, note the information and the Operating instructions of the respective manufacturer of the roof tent and your roof rack.



D

E

F

7. Remove the UPnGO rooftop-lift after lifting

- Grab the load carrier (5) and pull it down, until it touches the lifting mast (1).
- Loosen the toggle screws (12) on the roof rack adapter (11).



G

- Release the load carrier (5) by actuating the upper one gear (6), counterclockwise down until the lift straps go limp.
- Drive the mast (1) by operating the lower gear (7) until it shuts down completely.



H

- Set the mast (1) vertically and secure it with of the vertical strap (3).
ATTENTION: Slightly tightening the belt is enough.

J

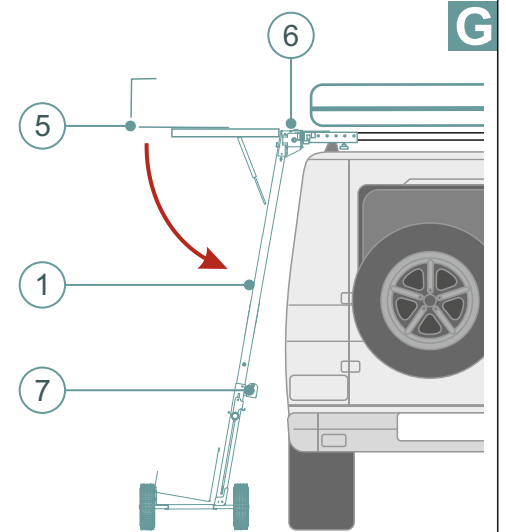
- Remove the clamping plates or clamping screws of the roof rack adapter (11) and pull it under the roof tent out.

ACHTUNG:

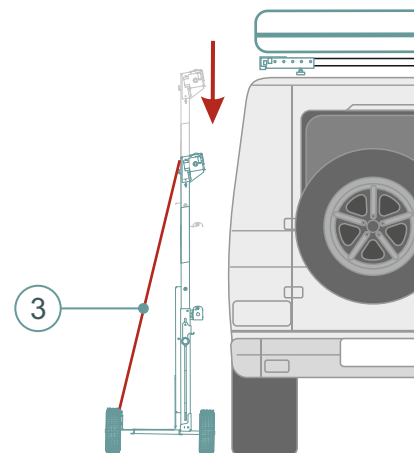
Before driving, check whether your roof tent is korrekt mounted on your roof rack. Please note the information and the Operating instructions of the respective manufacturer of your roof tent and your roof rack.



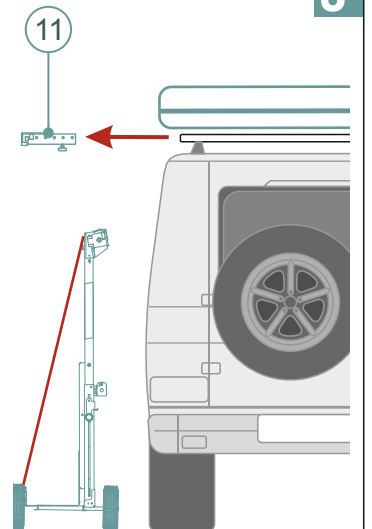
Wir wünschen eine gute Reise!



H



J



8. Removing the roof tent

- Proceed in reverse order as described above.
- Loosen the attachment of your roof tent so that you can easily can lift.

K

- Slide the already prepared roof rack adapter (11) under the roof tent, on the crossbeams of your roof rack.
- Fix the roof rack adapter (11) with the associated ones clamping plates or clamping screws.
- **Check that the adapter is correctly placed and make sure all parts are gripping the roof rack.**



- Drive the empty UPnGO roof tent lift beside your vehicle and align it as described in section B out of. (This is very quick if you have write down the distance "Z").

L

- **Lock the brake (9) or place a chock under a wheel.**



- Loosen the vertical strap (3).
- Tilt the mast in such a way that, when it is extended, it is on the Roof rack adapter meets.
- Release as much by operating the upper gear (6). Adjust webbing to match the length needed to extend the lift mast.



M

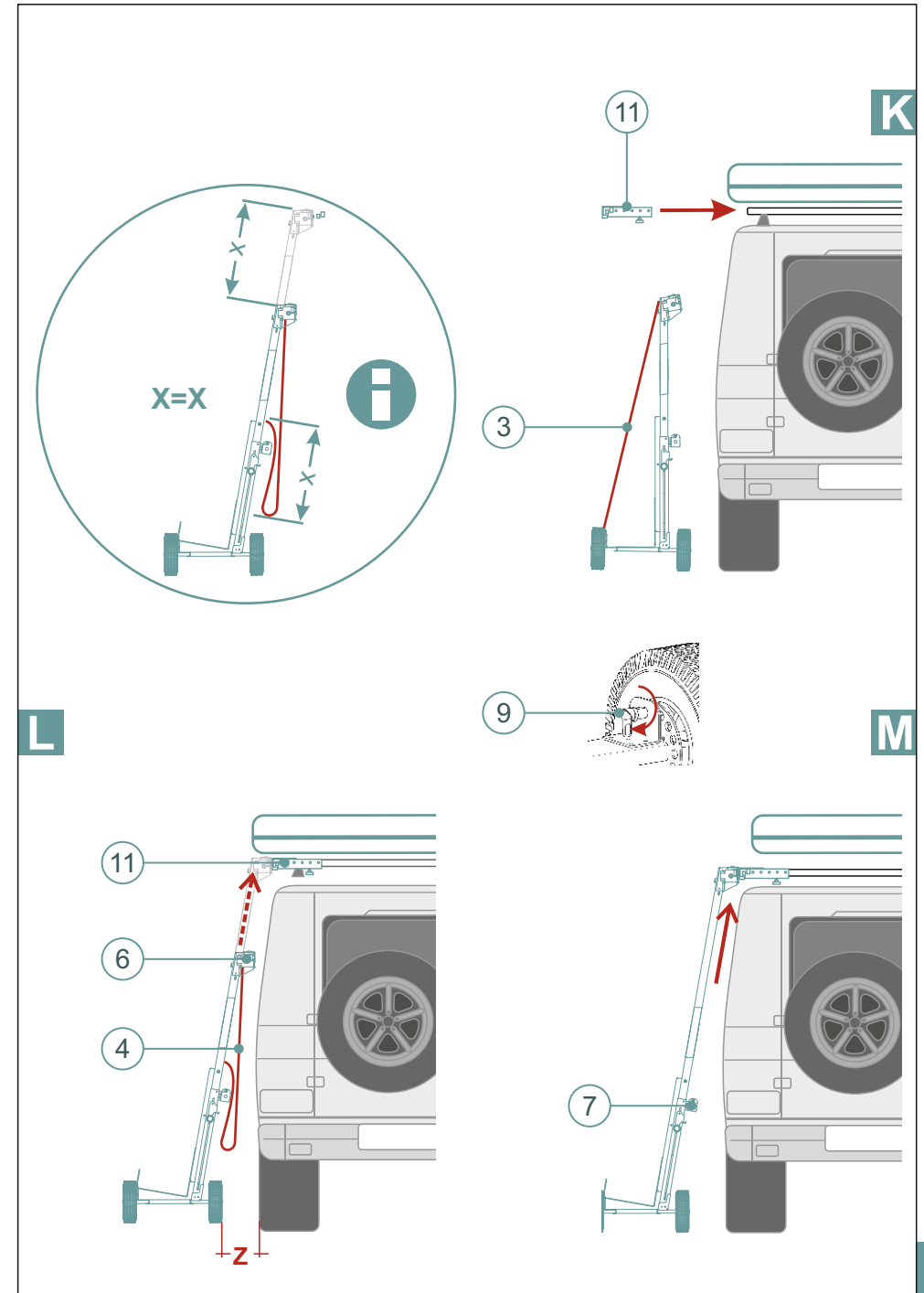
- Now drive by using the lower gear (7) the lifting masts until it engages in the positioning aid (10) of the Thread in the roof rack adapter (11).



ATTENTION: If you have lowered too little belt, it will tighten this prematurely. Then release by pressing the lower gear (7) a little more belt. Pick up never use the load suspension together with the mast.



Important rule - If the lifting strap (25) is not slack - you NEVER use the height adjustment!



- Fix the lifting mast (1) with the supplied ones Toggle screws (22) on the roof adapter (11).

- **Assure yourself that the entire construct is stable stands and holds all fixations. Only then are you allowed to Raise the load carrier (5).**



N

- Lift the load carrier (5) by operating the upper one Gear (6) clockwise until the height mark (12) appears on both sides in the viewing window of the lifting mast (1).



- Take hold of the front edge of the load carrier (5) and swing it up.

ATTENTION! - You must first encounter a slight resistance overcome before the roof tent can be swung up.

After this resistance is overcome, the

Load carrier pushed up with the help of gas pressure springs.

CAUTION - Depending on the setting (see preparation) this can quite quickly and with appropriate force.



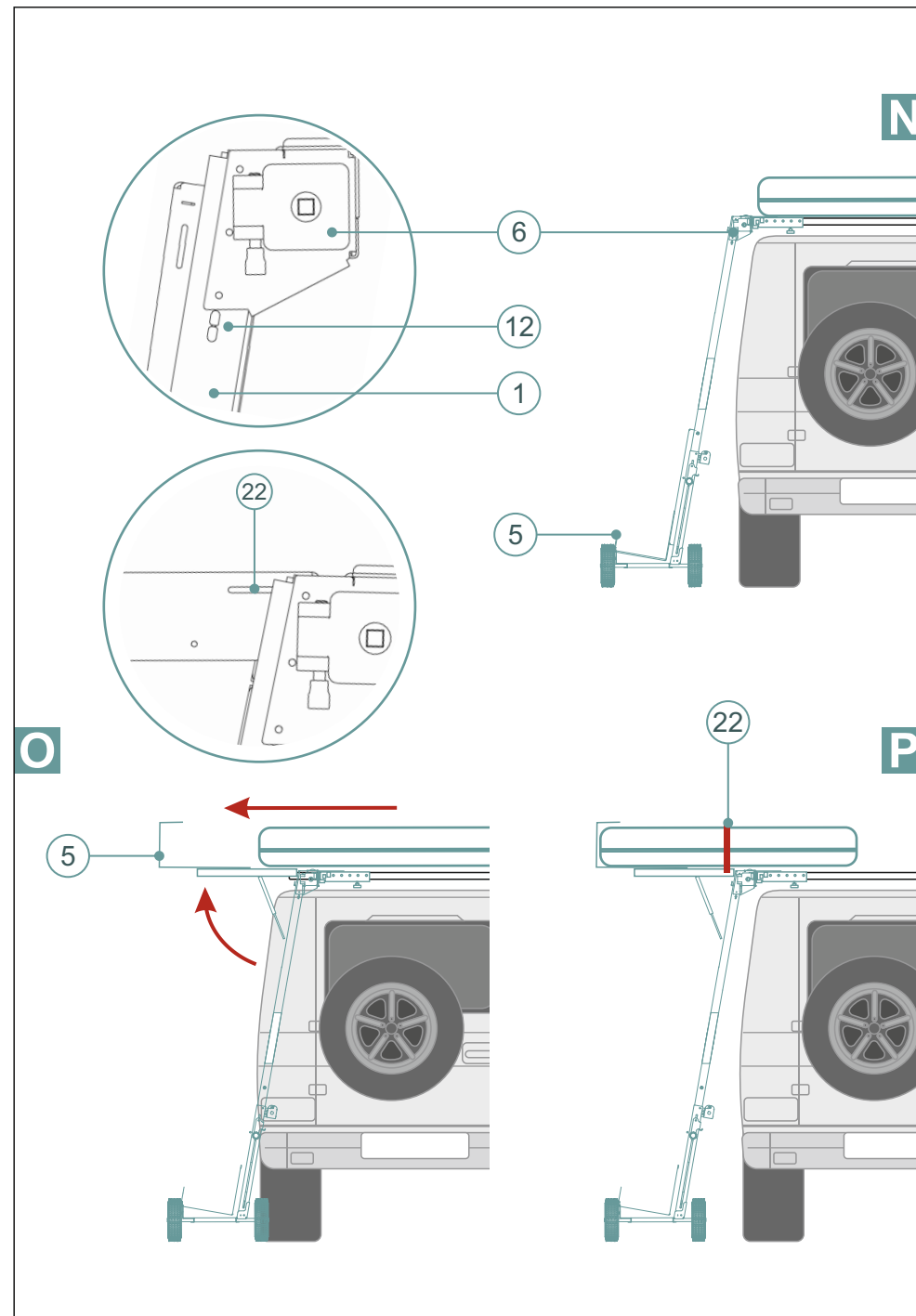
O

- Now pull or push your roof tent from the roof rack on the load carrier (5) of the UPnGO roof tent lift. Take your time and make sure you do this. Place the roof tent in the middle of the load carrier.



P

- Secure the roof tent with an tension belt to the Lashing eye (22) of the load carrier (5).



9. Moving the roof tent by the UPnGO roof tent-lift

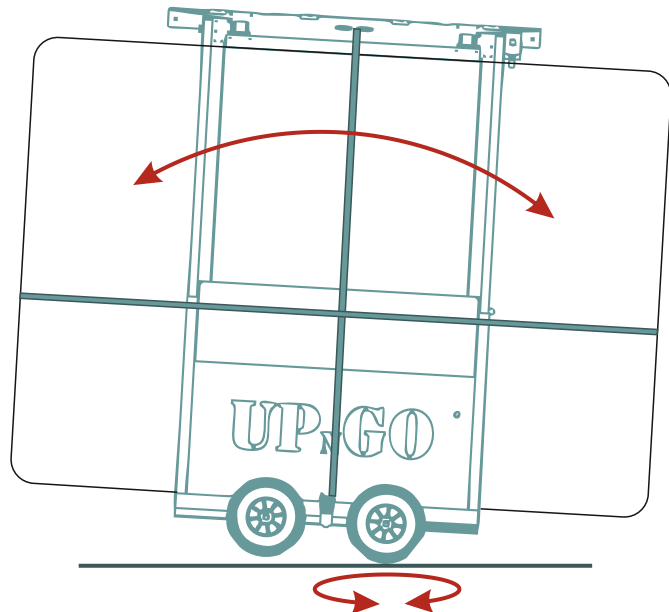
9.1 Preparation vor moving

Before you move the UPnGO roof tent lift, secure the roof tent and the lifting mast (1) at least with the vertical strap (3). Depending on the roof tent, it is advisable to also use a horizontal strap. Corresponding threading openings (22) are located in the lifting panel for this purpose.



9.2 Moving

The UPnGO does not have active steering. To steer the system, shift your weight to the front or rear axle by slightly pressing down or lifting the roof tent on one side.



10. Possible malfunctions

It is possible for dirt to collect in the profiles of the lift mast (1) and/or other components.

It is also possible that the material shrinks in extreme cold.

This can lead to poor sliding behavior or jamming. If, when extending the mast, you find that it is jammed, difficult to move, or that you hear grinding or scratching noises, stop working with the system immediately. Clean all sliding surfaces with a cloth and apply lubricant or grease spray to all sliding surfaces.

If the jamming happens due to extreme cold, go to a warmer place (indoor area) and wait until the system has acclimatized.



Check that it is working properly before and during each use.

If you notice incorrect behavior as soon as the mast is extended, do not under any circumstances lift the load and proceed as described above.



11. Storage

Store the UPnGO roof tent lift in a dry place, protected from direct weather and direct sunlight. The roof tent can remain on the UPnGO roof tent lift during storage. Also note the storage instructions for your roof tent.



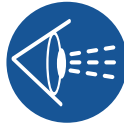
12. Maintenance

- Protect the system from weather and moisture.
- Treat the sliding surfaces once a year with spray grease. At least after every twentieth stroke.
- Check all screw connections before use.
- Check the lifting straps each time they are used. Have cuts, tears or other damage, these are exchange immediately.



13. Checking the markings

The markings must be checked once a year to ensure that they remain in their original condition. The manufacturer must be contacted for the subsequent delivery of markings.



14. Repair & Spare Parts

Repair work may only be carried out by the manufacturer or a specialist company authorized by the manufacturer. Parts that are lost or damaged and parts that can be replaced without specialist knowledge can be obtained from the manufacturer. Other than original spare parts are not permitted.



15. Technical data

Maximum lifting capacity100 kg

Size (LxWxH):

Size "S" 1.020 x 750 x 1.520 mm
 Size "M" 1.020 x 750 x 1.670 mm
 Size "L" 1.020 x 750 x 1.820 mm
 Size "XL" 1.020 x 750 x customized solution only

Own weight:

Size "S" 66,5 kg
 Size "M" 68,0 kg
 Size "L" 69,5 kg
 Size "XL" 72,0 kg

lifting heights:

Size "S" 1.470 bis 1.880 mm
 Size "M" 1.620 bis 2.030 mm
 Size "L" 1.770 bis 2.180 mm
 Size "XL" 1.920 bis 2.330 mm

Airborne noise emission < 70 dBA (by manual operation)

Lifespan The lifespan depends on the using



16. CE declaration of conformity

EG-Konformitätserklärung

(nach Anhang IIA der Maschinenrichtlinie)

Wir,
Firma

ide-tec KG
Erzweg 16
57299 Burbach
Deutschland

erklären in alleiniger Verantwortung, dass das Produkt:

Maschinenbezeichnung: UPnGO
 Typ: Dachzelt-Lift
 Seriennummer: UG-2x0001-2x9999
 Baujahr: ab 2022

auf das sich diese Erklärung bezieht, mit den folgenden Richtlinien und Normen oder anderen normativen Dokumenten übereinstimmt:

| | | | |
|--------------|-----------|---------|--------------|
| 2006/42/EG | Maschinen | | |
| EN ISO 12100 | 2010 | EN 1494 | 2000+A1:2008 |

Gunther Schöllchen, ide-tec KG, Erzweg 16, 57299 Burbach
 (Name und Anschrift der Person, die bevollmächtigt ist, die relevanten technischen Unterlagen zusammenzustellen)

Angaben zum Unterzeichner

Name: Schöllchen
 Vorname: Gunther
 Position: Geschäftsführer
 Deutschland

Burbach, 01.04.22
 Ort und Datum


 ide-tec
 idee design technik
 ide-tec KG
 Erzweg 16
 57299 Burbach
 Tel. +49 2736 491340
 e-mail: info@ide-tec.de

